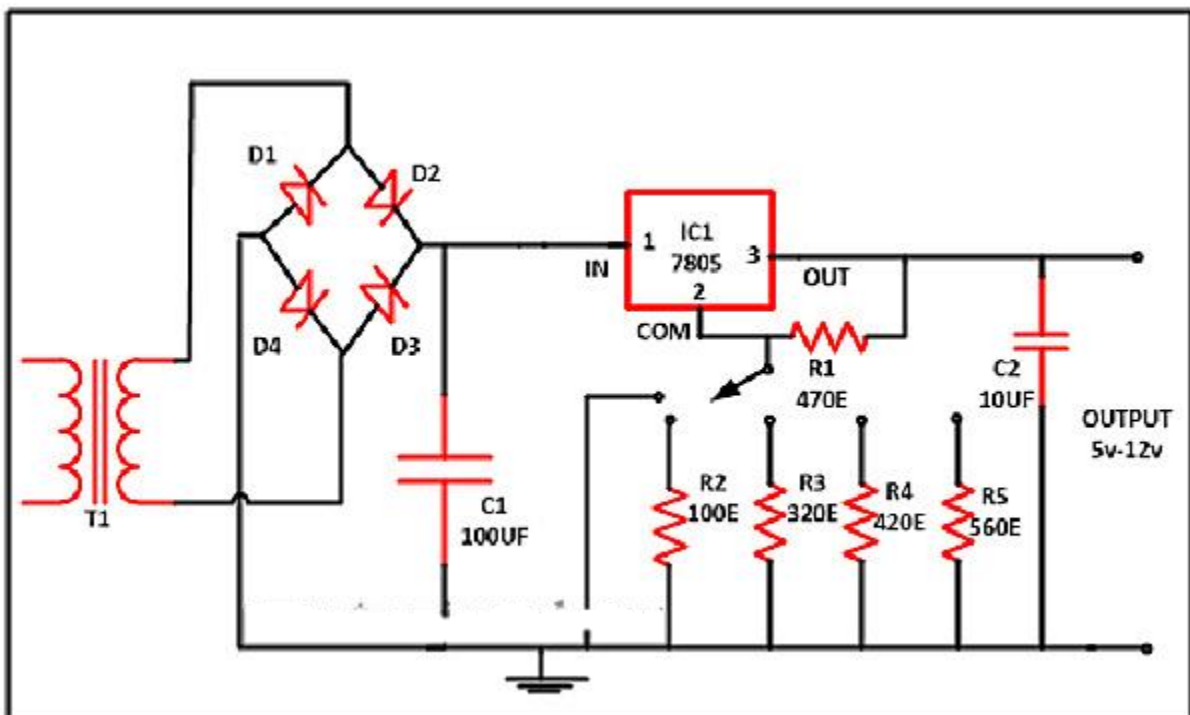


# Variable Power Supply

## Introduction:

The fixed voltage regulator is used to offer fixed voltage at the output terminal and does not depend upon the input voltage supplied. Here is the circuit producing variable voltage Power supply designed using fixed voltage regulators.

## Circuit Diagram:



**Working:**

- Bridge Rectifier is used for converting AC to DC.
- Then the voltage is applied to the 7805 voltage regulator.
- Output of the regulator can be varied by varying the resistance connected to the common pin of the 7805.