

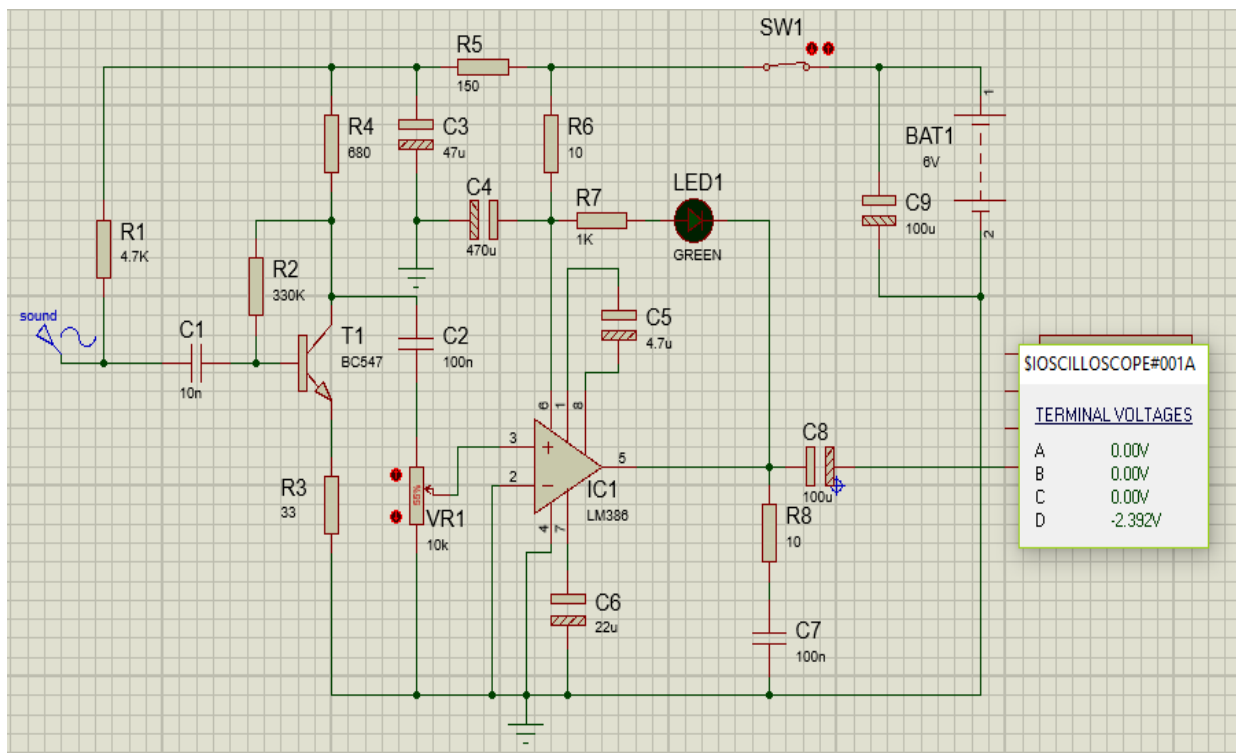
Listening Bug

Introduction :

Listening bug? What is that? Is it what strikes your head, the first time you see this title? Well, allow us to clear your confusion. Listening bug is a resemblance to that concept improves the quality of sound we hear.

Input sound collected by the condenser microphone with high-sensitivity is supplied to the Listening Bug Circuit and adjustable sound gain is obtained at its output which improves the quality of sound for obvious reasons. Now, people can hear everything smoothly without risk of interruption and no talks will be missed. For effective implementation of the circuit, we recommended using a 6V (4X1.5V) battery.

Circuit Diagram :



Component Required :

- Resistors
- Capacitors
- Transistors
- OpAmp
- Mic
- Switch
- Battery
- Earphone

Application :

- Library Sound detector
- Listening sound of other room
- Spying on someone